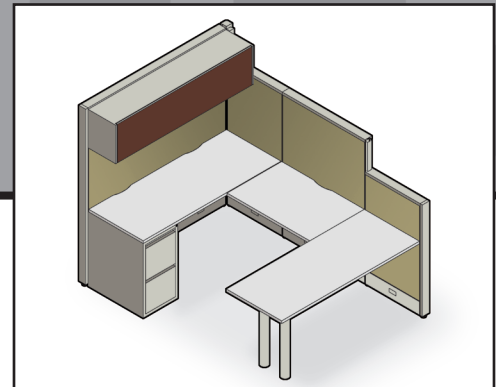


COMPILE Leed Environmental Profile



Product: Compile - Typical Open Plan Panel Based Workstation (BIFMA M7.1)

Manufacturer: Evolve Furniture Group
350 Flint Road, Downsview ON Canada M3J 2J7
www.evolvefurnituregroup.com

MATERIAL DESCRIPTION									
Material	Product		Recycled Content (%)						End of Life Recyclability
	Lbs.	(%) by weight	Total Recycled		Pre-Consumer		Post-Consumer		
			Lbs.	%	Lbs.	%	Lbs.	%	
Aluminum	71.6	15.6%	57.3	80%	43.0	75%	14.3	25%	100%
Steel	136.1	29.7%	34.0	25%	17.0	50%	17.0	50%	100%
Particle Board	36.4	8.0%	30.9	85%	30.9	100%	0	0%	100%
Melamine (LP)	119.1	26.0%	101.2	85%	101.2	100%	0	0%	100%
Plastic (PVC)	14.8	3.2%	0.7	5%	0.7	100%	0	0%	100%
Plastic (PVC)	6.8	1.5%	0	0%	0	0%	0	0%	100%
Masonite	65.2	14.2%	55.4	85%	55.4	100%	0	0%	100%
Fabric	5.2	1.1%	5.2	100%	0	0%	5.2	100%	100%
Zinc	2.0	0.4	0	0%	0	0%	0	0%	100%
Steel/Plastic (PVC)	0.6	0.1%	0	0%	0	0%	0	0%	0%
Total	457.8	100%	284.7	62.2%	248.2	87.2%	36.5	12.8%	99.9%

PACKAGING DESCRIPTION									
Pkg - Wood	29.0	45.1%	24.6	85%	24.6	100%	0	0%	100%
Pkg - Cardboard	31.4	48.8%	31.4	100%	8.8	28%	22.6	72%	100%
Pkg - Foam	1.6	2.5%	1.0	65%	1.0	100%	0	0%	100%
Pkg - Plastic Bag	1.2	1.9%	0.2	15%	0.2	100%	0	0%	100%
Pkg - Shrink Wrap	1.1	1.7%	0	0%	0	0%	0	0%	100%
Total	64.3	100%	57.2	89.0%	34.6	60.5%	22.6	39.5%	100%

Notes

- This description of our standard workstation is representative of typical materials and processes.
- Panel frames and metal components are painted using a powder coating process, which filters and re-uses up to 99% of the over spray.
- Edge finish sample on worksurface (particleboard with HP laminate and backing) is based on PVC.
- Fabric sample on panel is based on 100% recycled polyester.
- Product recycle-ability depends on local programs (manufacturing facility in Toronto, Ontario, Canada).
- Packaging used is corrugated cardboard and biodegradable plastic bags.
- Evolve Furniture Group encourages the use of carts, blanket wrap and wood skids (made from in house wood scraps) to minimize packaging waste where appropriate.

Evolve Furniture Group

17 West Stow Rd. P.O. Box 562 Marlton, New Jersey USA 08053

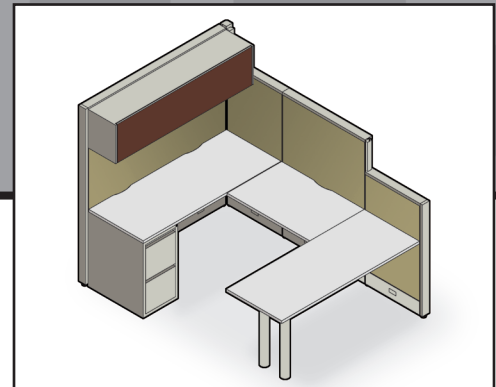
T 856.552.4000 888.827.2500 F 856.552.4001

evolvefurnituregroup.com

compile systems



COMPILE Leed Environmental Profile



OTHER STANDARDS AND VOLUNTARY PROGRAMS

LEED Rating System (USGBC/CaGBC)	IEQ — Credit 4.5 Systems Furniture and Seating
Greenguard.....	Indoor Air Quality
Level Certified	ANSI/BIFMA -E3 Furniture Sustainability Standard
ISO 9001 Certification.....	Quality Management System
ISO 14001 Certification.....	Environmental Management System
OHSAS 18001 Certification.....	Occupational Health and Safety Management System
Comments	Additional data and certificates are available upon request

EVOLVE FURNITURE GROUP'S COMMITMENT

Statement: Our mission is to develop and offer innovative quality and environmental solutions to value oriented customers. Evolve Furniture Group accomplishes this by ensuring that our products are helping to meet the sustainability challenge, while improving quality of life and protecting the environment.

Environmental Health and Safety Policy: Evolve Furniture Group acknowledges the need for the industry to be environmentally responsible for future generations as well as providing a work environment that is safe and healthy for all employees.

Social Responsibility: Evolve Furniture Group believes that we have a social responsibility to produce a good quality product without jeopardizing the environment or human health.

Sustainability: Evolve Furniture Group strives to design and reformulate products with a more positive environmental profile ensuring that we meet our present needs without compromising our future needs, simply because it's the right thing to do.

Waste Diversion: Evolve Furniture Group's goal is to achieve 100% production waste diversion from landfill by 2014.

Cleaning and Maintenance: Green cleaners that are non-hazardous are preferred. In most cases, cleaning with a damp cloth of mild soap and water or white vinegar is sufficient for panel frames, fabric, metal storage products and laminated surfaces. For further information on cleaning and maintenance, please refer to the installation manual.

Non-Obsolescence Policy: Evolve Furniture Group's commitment is to continue to innovate and provide continuity to our product lines. Evolve Furniture Group will commit to a continued supply of product compatible with those purchased today for as long as the original customer owns the product or 25 years in the case of a corporate purchaser.

Warranty: Evolve Furniture Group warrants its products free from defect in material and workmanship for as long as the original customer owns the product or 25 years in the case of a corporate purchaser. For more information, please refer to the List Price Book or speak with your sales representative.

Evolve Furniture Group

17 West Stow Rd. P.O. Box 562 Marlton, New Jersey USA 08053

T 856.552.4000 888.827.2500 F 856.552.4001

evolvefurnituregroup.com

compile systems

